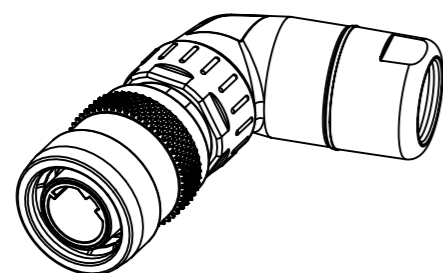
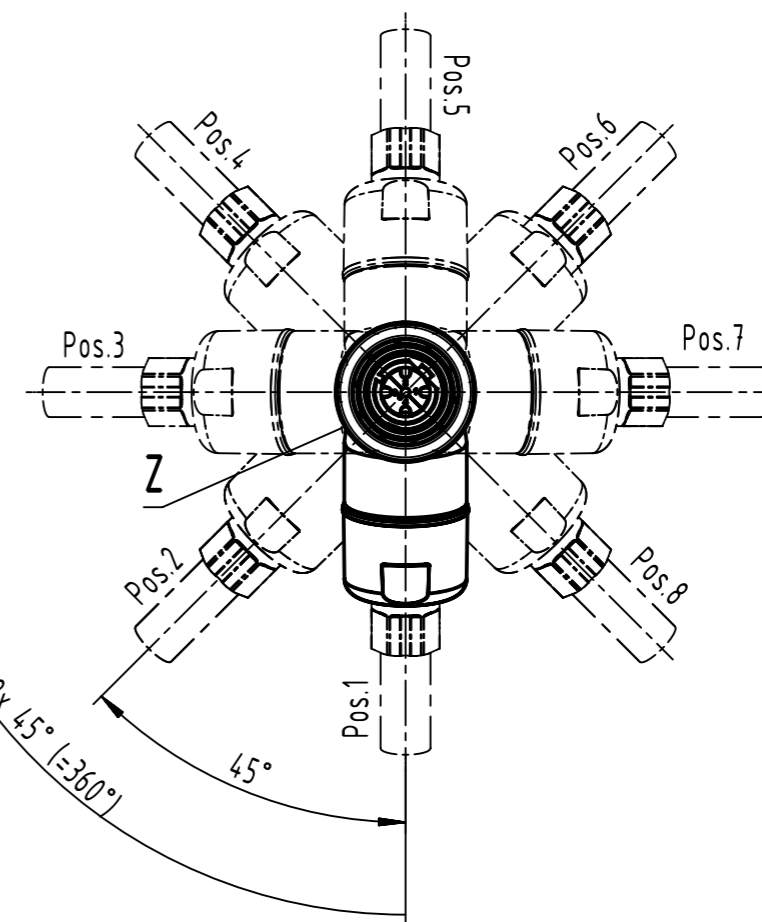
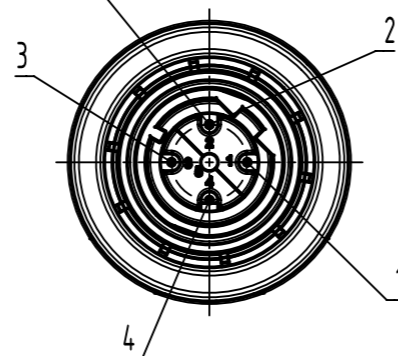


assembly aid enclosed

Z (2:1)

contact face acc. to IEC 61076-2-101



order contacts separately

wire gauge	part-no contact
AWG 22-18	09 67 000 3576
AWG 24-20	09 67 000 8576
AWG 26-22	09 67 000 5576

	All rights reserved Department EL PD	All Dimensions in mm Original Size DIN A3	Scale 1:1	Free size tol.	Ref.
		Created by BALSAN	Inspected by PRIESTER	Standardisation 302077	Date 2021-04-16
HARTING D-32339 Espelkamp		Title M12 PP angled male D-cod 4-pole crimpflange			Doc-Key / ECM-Nr. 100763486/UGD/003/E 500000193237
		Type TB	Number 21038813433		Rev. E Page 1/1